

- Prairie Rifle -

Models : R-2170

R-2190

KR-5170

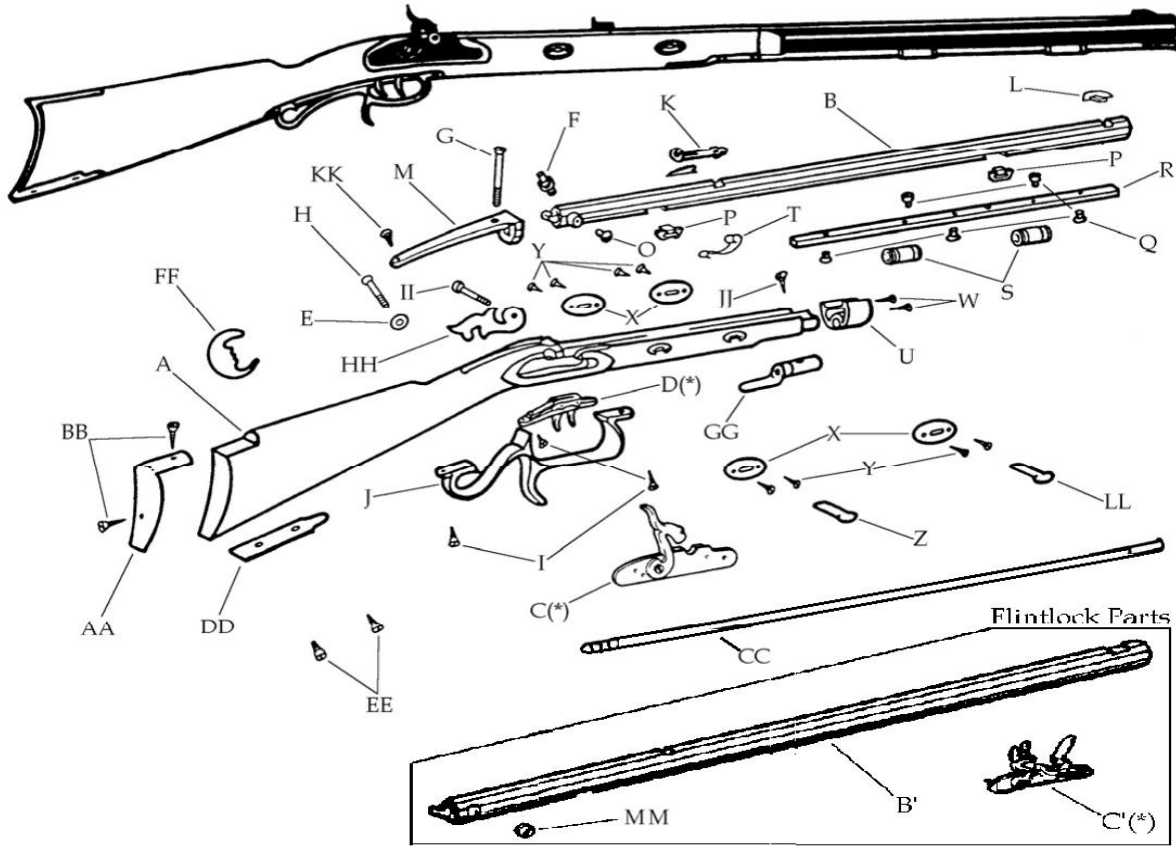
KR-5190

.50 cal. perc. 1-48"
28" Blued Barrel

.50 cal. flint. 1-48"
28" Blued Barrel

.50 cal. perc. 1-48"
28" White Barrel

.50 cal. flint. 1-48"
28" White Barrel

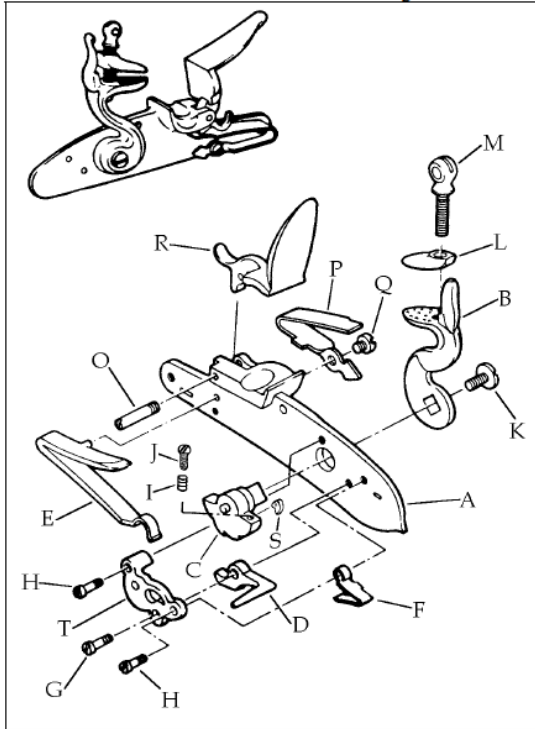


A	Stock Beech (kit).....	K-20701	R	Barrel Rib.....	21812
	Stock Beech (Percussion) (Finished).....	FCS20701	S	Thimble (Blackened)(2).....	21613
	Stock Beech (Flint) (Finished).....	FCS20901	S'	Thimble (Kit)(Brass) (2).....	20613
B	Barrel Assembly (Kit) (Length 28") .50cal. perc.(twist 1-48").....	C-217080	T	RamrodRetaining Spring.....	20621
	Barrel Assembly Blued (Finished) (Length 28") .50 cal. perc. (twist 1-48").....	FB217080	U	Nose Cap (Blackened).....	21815
B'	Barrel Assembly (Kit) (Length 28") .50 cal. flint. (twist 1-48").....	C-219080	U'	Nose Cap (Kit) (Brass).....	20815
	Barrel Assembly Blued (Finished) (Length 28") .50 cal. flint. (twist 1-48").....	FB219080	W	Nose Cap Screw(2).....	20827
C	Percussion Lock.....	20803	X	Wedge Plate (GermanSilver)(4).....	25016
C'	Flintlock.....	20703	Y	Wedge Plate Screw(8).....	21817
D	Trigger Assembly.....	20622R	Z	Rear Wedge.....	22218-3
E	Lock Washer.....	20840	AA	Butt Plate (Blackened).....	21826
F	Nipple Percussion Only.....	20608	AA'	Butt Plate (Kit) (Brass).....	20826
G	Tang Screw (Front).....	20841	BB	Butt Plate Screw(2).....	20627
H	Rear Lock Screw.....	20620	CC	Ramrod Assembly.....	20728
I	Trigger Guard Screw(3).....	20840	CC'	Ramrod Assembly (Kit).....	20728K
J	Trigger Guard (Blackened).....	21823	DD	Toe Plate(Blackened).....	21831
J'	Trigger Guard (Kit) (Brass).....	20823	DD'	Toe Plate (Kit) (Brass).....	20831
K	Rear Sight.....	22810	EE	Toe Plate Screw(2).....	20624
L	Front Sight.....	22811	FF	Quarter Moon(GermanSilver).....	21836A
M	Tang.....	20806	GG	Rear Ramrod Thimble (Blackened).....	21814
O	Bolster Screw Percussion Only.....	20605	GG'	Rear Ramrod Thimble (Kit) (Brass).....	21014
P	Barrel Tennon(2).....	20533	HH	Side Plate (GermanSilver).....	21816
Q	Rib & Thimblen Screw(5).....	20614	II	Front Lock Screw.....	20820
			JJ	Ramrod Thimble Screw.....	21025
			KK	Tang Screw (Rear)(Wood).....	20624
			LL	Front edge.....	22218-2
			MM	Touch Hole Insert-Flintlock Only.....	20534

(*) Exploded view at the reverse.

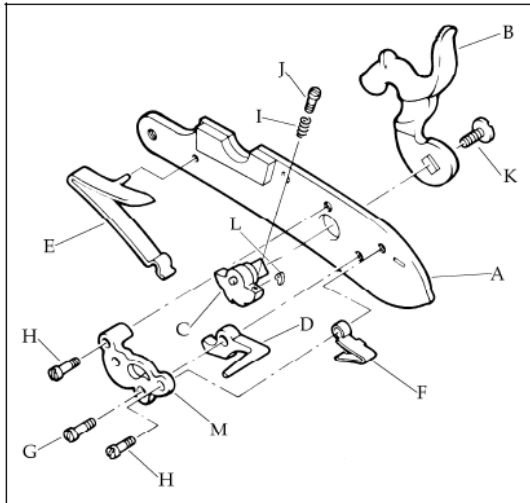
TRADITIONS™

Flintlock Assembly - Ref. 20703



	Description	Reference
A	Lock Plate.....	70601
B	Hammer.....	70302
C	Tumbler.....	70603
D	Sear.....	70504
E	Mainspring.....	70505
F	Sear Spring.....	70506
G	Sear Screw.....	70514
H	Sear Spring & Bridle Screw (2).....	70515
I	Sear Adjusting Screw Spring.....	70520
J	Sear Adjusting Screw.....	70518
K	Hammer Screw.....	75512P
L	Top Jaw.....	70309
M	Top Jaw Screw.....	70513L
O	Frizzen Screw.....	70516
P	Frizzen Spring.....	70519
Q	Frizzen Spring Screw.....	70517
R	Frizzen.....	70507
S	Fly.....	70611
T	Bridle.....	70508

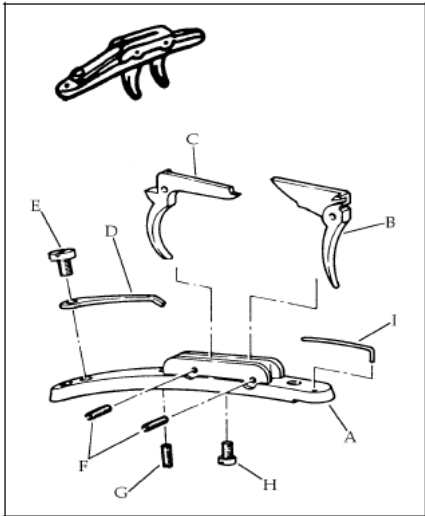
Percussion Lock Assembly - Ref. 20803



	Description	Reference
A	Lock Plate.....	70801-I
B	Hammer.....	70802
C	Tumbler.....	70603
D	Sear.....	70504
E	Mainspring.....	70505
F	Sear Spring.....	70506
G	Sear Screw.....	70514
H	Sear Spring & Bridle Screw (2).....	70515
I	Sear Adjusting Screw Spring.....	70520
J	Sear Adjusting Screw.....	70518
K	Hammer Screw.....	75512P
L	Fly.....	70611
M	Bridle.....	70508

Trigger Assembly

- Ref. 20622R



	Description	Reference
A	Trigger Plate.....	60601R
B	Front Trigger.....	60602
C	Rear Trigger.....	60603
D	Rear Spring.....	60604R
E	Rear Spring Screw.....	60606
F	Trigger Pin (2).....	60609
G	Rear Trigger Adjustment Screw.....	60608
H	Front Trigger Adjustment Screw.....	60607
I	Front Spring.....	60605